

**GROVE**

UNTERFLASCHE 16T EH OSHA

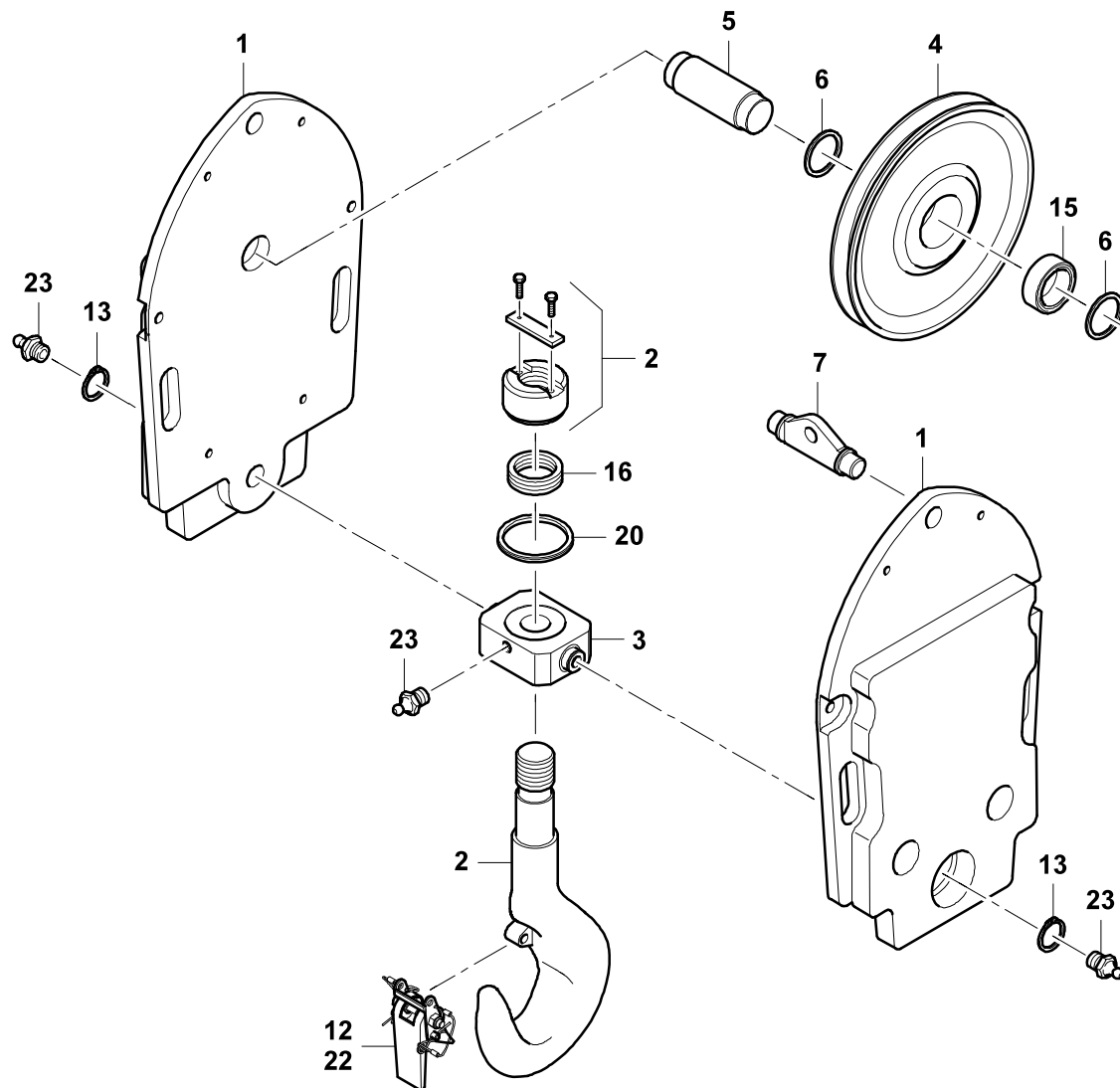
BOTTOM HOOK BLOCK 16T SH OSHA

BILDTADEL  
PICTORIAL DISPLAY**GMK4080-3**

02.20

**4287048-ETL B**

1/2



4287048-B-BL01-0220-0000

**GROVE**

UNTERFLASCHE 16T EH OSHA

BOTTOM HOOK BLOCK 16T SH OSHA

BILDTADEL  
PICTORIAL DISPLAY**GMK4080-3**

02.20

**4287048-ETL B**

2/2

